



## MODEL NO 41 (12 volts) MODEL NO 42 (24-32 volts)

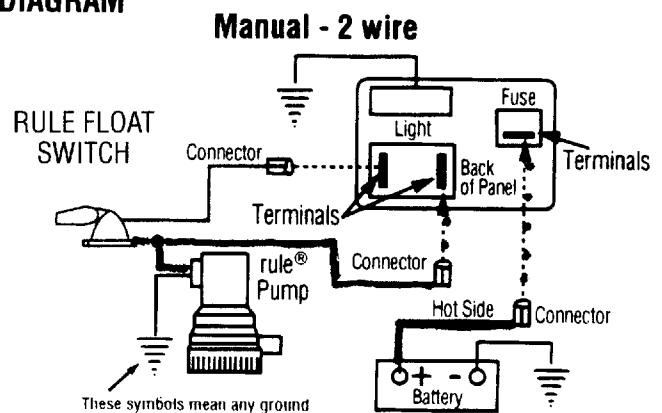
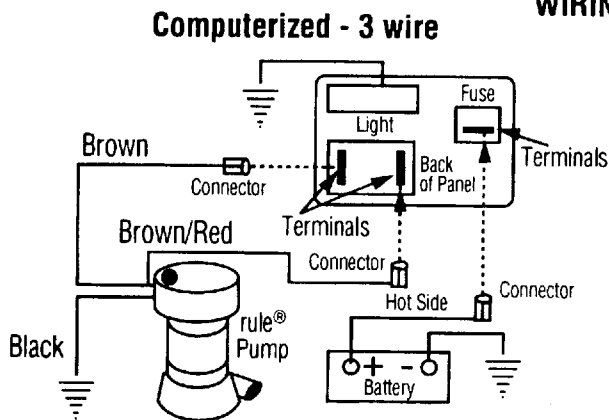
### Deluxe Panel Switch OPERATING INSTRUCTIONS

1. This switch has 2 "ON" positions:
  - "AUTO" allows a manual pump and float switch combination to operate automatically or it allows all wire computerized pumps to operate in the automatic mode.
  - "MAN" runs the pump – directly – as long as the switch is held in the position. The switch automatically returns to "OFF" when released. This prevents the switch from being accidentally left on and is rule's famous FAIL-SAFE feature.
2. The red light indicates only that the power is being supplied to the pump, not that the pump is operating.

### GENERAL INSTRUCTIONS

1. Install switch in a 1 $\frac{1}{16}$ " X 2 $\frac{3}{16}$ " hole in wood panel.
2. Wire as shown below. The hot line from the battery should go to the fuse.
3. Crimp 3 connectors provided onto ends of wires as shown below. Strip wire ends for 1/4" prior to crimping on connector. Refer to your pump instructions to determine proper wire size. If your installation is over 20' from the battery source, increase the wire size by one gauge (i.e.-16ga. to 14ga. and 14ga. to 12ga.) Push connectors onto terminals as shown.
4. For fuse removal – push and turn to release.
5. Failure to fuse your system will void the warranty on any rule® pump.

### WIRING DIAGRAM



THIS PRODUCT SHOULD BE FUSED WITH THE RECOMMENDED FUSE SIZE FOR THE RULE PUMP TO WHICH IT IS CONNECTED.

**rule industries**

Cape Ann Industrial Park, Gloucester, MA 01930

®RULE REGISTERED TRADEMARK

M-1563 11/99



**ITT Industries**

*Engineered for life*