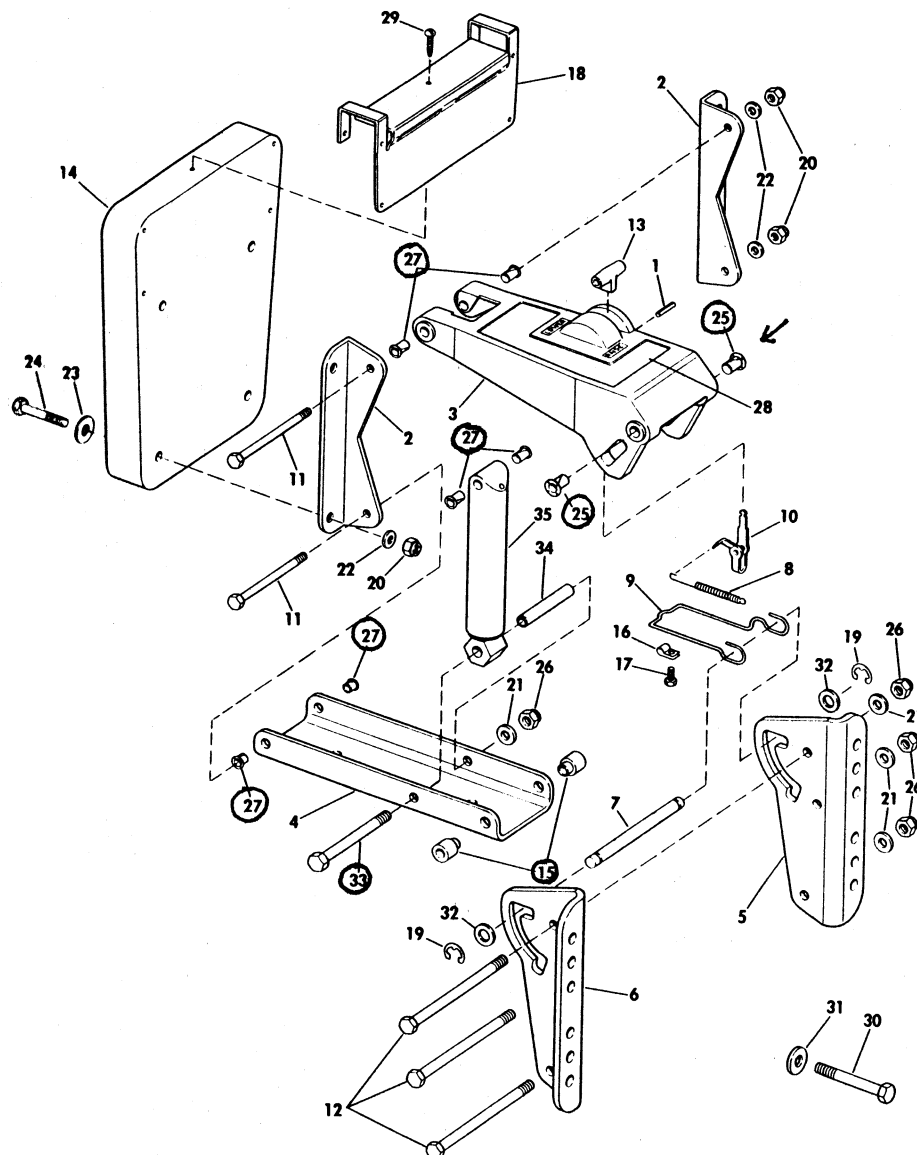


AUXILIARY MOTOR BRACKET KIT

2 THRU 15



BE329

851552

Ref. No.	P/N	Name of Part	Qty.	Ref. No.	P/N	Name of Part	Qty.
*	173267	AUXILIARY MOTOR BRACKET KIT	1	17	123102	SCREW, Clamp	2
*	173268	AUXILIARY MOTOR BRACKET KIT, Tilt aid	1	18	123103	BRACKET, Mounting board	1
1	121642	PIN, Lever	1	19	123105	RETAINING RING	2
2	123087	BRACKET, Board mounting	2	20	123227	LOCKNUT, Motor bracket	6
3	123088	HOUSING, Upper pivot & tilt release	1	21	306405	WASHER	3-4
4	123089	LOWER PIVOT ARM	1	22	306453	WASHER	6
5	123090	BRACKET, Transom L.H.	1	23	902713	WASHER, Mounting	4
6	123091	BRACKET, Transom R.H.	1	24	312449	SCREW, Mounting	4
7	123092	ROD, Bracket position lock	1	25	314137	NYLON BUSHING	2
8	123093	SPRING	1	26	314898	NUT	3-4
9	123094	ACTUATOR WIRE	1	27	319089	BUSHING	6
10	123095	LEVER, Bracket position release	1	28	123104	DECAL	1
11	123096	BOLT, Pivots, motor end	2	29	900942	SCREW, Bracket to board	7
12	123097	BOLT, Pivots, transom end	3	30	121250	SCREW	4
13	123098	KNOB, Bracket release lever	1	31	121252	WASHER	8
14	123099	BOARD, Motor mounting	1	32	123517	WASHER, Lock rod	2
15	123100	BUSHING, Lower pivot	2	**33	123106	BOLT, Tilt aid cylinder	1
16	123101	CLAMP, Actuator wire	2	**34	123107	BUSHING, Cylinder	1
				**35	173271	TILT AID CYLINDER ASSY.	1

* Not Shown

** Used Only on Kit With Tilt Aid

OMC AUXILIARY MOTOR BRACKET

Ref. No. 35 P/N 173271 TILT AID CYLINDER ASSY (1 ea)

Ref. No. 34 P/N 123107 BUSHING, Cylinder (1 ea)

Ref. No. 27 P/N 319089 BUSHING (2 ea)

Ref. No. 33 P/N 123106 BOLT, tilt aid cylinder (1 ea)

Ref. No. 21 P/N 306405 WASHER (1 ea)

Ref. No. 26 P/N 314898 NUT (1 ea)